

# ELECTRIC FENCE MONITOR

## Installation and User Manual



2nd Edition, 2013



**JVA ELECTRIC FENCE SYSTEMS**



*Thank you for choosing our product. The JVA brand is a range of electric fencing products carefully selected from leading manufacturers around the world to meet the needs of perimeter security.*

## **THE JVA Z RANGE ENERGIZER CONCEPT**

The JVA Range of Energizers has been collaboratively designed and manufactured by an international team with over 30 years of electric fence experience earned in some of the most testing security environments in the world. It aims to provide the very best low-cost, high-voltage security energizers in the world. They are compact, integrated and fully programmable electric fence energizers with built-in alarm units and LCD *out* and *return* voltage display. They also have the option of being controlled from a remote LCD keypad.

*State-of-the-art energizer design IP4 x and ABS plastic*

*Unique LCD display depicting fence out and return voltage*



*Unique LCD keypad option depicting fence and alarm condition*

*Wall-mountable, robust energizer housing with easily detachable PCB chassis for ease of installation and repair*

**2-yr  
WARRANTY**

### **TWO-YEAR WARRANTY**

All JVA products carry a 2-year warranty against defective components and workmanship. The warranty excludes damage caused by acts of Nature such as lightning or flooding, power supply surges, rough handling, malicious action or incorrect wiring.

**Please retain your invoice as proof of purchase and fill in the warranty form on page 32.**

**JVA Z Energizer Range Concept**

# CONTENTS

1.	INTRODUCTION .....	3
2.	FEATURES .....	5
2.1	Limitations .....	5
3.	OPERATION .....	6
3.1	Control Options .....	6
3.2	Control Arbitration .....	6
3.3	Control Inputs .....	6
3.4	Keypad Control.....	7
3.4.1	Using the Alpha Plus LCD Keypad .....	7
3.4.2	Changing the USER PIN .....	7
3.4.3	Changing the Keypad Messages and Address .....	7
3.4.4	To Exit Keypad Programming .....	9
3.5	Jumper Configuration .....	10
3.6	LCD Display.....	11
3.7	Status LED Lights .....	12
3.8	Front Label .....	12
4.	SPECIFICATIONS .....	13
5.	INSTALLATION .....	14
5.1	8 EHT Terminals on the ZM1 .....	14
5.2	Fence Wiring Diagrams.....	15
5.2.1	Configuration with NO Return Wire from Fence .....	15
5.2.2	Earth Loop Monitoring .....	16
5.2.3	Earth Spike Monitoring .....	17
5.2.4	No Earth Monitoring .....	18
5.3	Low Voltage Terminals on the ZM1 .....	19
5.4	Low Voltage Wiring Diagrams .....	21
5.4.1	16Vac 2Amp Power Supply .....	21
5.4.2	Controlling a 240Vac Energizer .....	22
5.4.3	External Battery and Charger .....	22



6. PROGRAMMING OPTIONS ..... 23

6.1 Programming Basics ..... 23

6.1.1 Entering Programming Mode ..... 23

6.1.2 Exiting Programming Mode ..... 23

6.1.3 Changing the INSTALLER PIN ..... 23

6.1.4 Changing an Option ..... 23

6.2 Programmable Options Table ..... 24

6.3 Programming Options in Detail ..... 25

6.3.1 Fence Alarm Voltage Level (01x#) ..... 25

6.3.2 Current Alarm Level (02x#) ..... 25

6.3.3 Ground Voltage Alarm Level (03x#) ..... 25

6.3.4 Missed Pulse Count (06x#) ..... 26

6.3.5 Battery Alarm Voltage (07x#) ..... 26

6.3.6 Siren On Time (08x#) ..... 26

6.3.7 Siren Off Time (09x#) ..... 27

6.3.8 Siren Cycles (10x#) ..... 27

6.3.9 Input Type (11x#) ..... 27

6.3.10 Input 2 Function (12x#) ..... 27

6.3.11 Gate Exit Delay (13x#) ..... 28

6.3.12 Chime Mode (14x#) ..... 28

6.3.13 Fence Mode (15x#) ..... 28

6.3.14 Binary Options (16x#) ..... 29

6.3.15 Anti-Bridging Threshold (17x#) ..... 29

6.3.16 Auto Re-Arm Time (20x#) ..... 30

6.3.17 Relay Functions ..... 30

6.3.18 Group Mode (26x#) ..... 31

7. WARRANTY ..... 32

## 1. INTRODUCTION



The ZM1 is designed to be coupled with any standard electric fence energizer (see 2.1 *Limitations* below) to power and monitor an electric fence. As it can control very large energizers it is anticipated that the ZM1 will find application on large fences for game reserves and border security. The ZM1 uses Patent Pending, DFD™ technology to determine if there is a fault on very long fences.

The combination of the ZM1 and the energizer operate in the same way as a single JVA Z series energizer, with the exception that the pulse power level of the energizer cannot be modified.

The ZM1 monitors the live feed line from the energizer to the fence and determines if the fence is working properly by measuring the voltage and current (therefore power) flowing to the fence. *As such it does not require a return line from the end of the fence.* This can represent a large saving on installation costs on new fences or make monitoring an existing fence possible if no return line was originally wired. The ZM1 can, however, also monitor the return if that is desired.

The ZM1 has many programmable options which can be adjusted using a JVA Z series keypad. By correctly setting the alarm threshold levels it is possible to determine if a fence has been cut or shorted at any point.

The ZM1 is designed to meet or exceed the relevant parts of IEC60335.2.76. The ZM1 is part of the JVA Z series of security energizers, designed and manufactured by Pakton Technologies.

## **Equipment Requirements and Options**

### **Requirements**

- An energizer
- 12V rechargeable backup battery
- 16Vac power adaptor OR external battery charger
- Security electric fence; standards, insulators, wire etc.

Some of these items may be included with the ZM1.

### **Options**

- 12V Siren and strobe light
- LCD Keypad (PTE0210). Note 1,2
- Windows PC
  - Windows XP or Windows 7
  - PAE223 USB to Keypad Bus or PAE212 TCP/IP adaptor
  - Perimeter Patrol PC application (Pro version)

### **NOTES:**

1. While the Keypad is not essential for normal operation, it is always required for programming options during installation.
2. Up to 3 Keypads may be used with a ZM1, each Keypad must have a unique ID setting.

For more information on these options please see [www.jva-fence.com.au](http://www.jva-fence.com.au)

There are high voltages inside the ZM1 and JVA energizers.

The high voltage inside the energizer may take a long time to discharge. Wait at least 10 minutes after turning off before opening the case.

Before working on the high voltage wiring of an electric fence, it is recommended that the energizer is disarmed and a short circuit is placed from the fence live wires to earth. This is a sensible precaution against the energizer being armed while working on the fence.

**NOTE:** The energizer manual must also be provided to the customer as it includes mandatory safety information.



## 2. FEATURES

- Wall-mountable Z series energizer enclosure
- Can be combined with any energizer (see 2.1 *Limitations* below) to produce a full featured security electric fence energizer/monitor
- Distant Fault Detection (DFD)<sup>TM</sup> allows faults to be detected on very long fence lines (Note 1)
- Anti-bridging mode, alarms on sudden change in load (Note 2)
- Control and programmable via keypad with similar codes to the Z series
- Monitor fence voltage and current to trigger an alarm if current rises or voltage falls (load increases)
- Start and/or end of fence monitoring
- Able to be monitored via PC (using Z control or Perimeter Patrol software)
- Run from 16Vac or 12V DC external source
- Built-in battery charger and 7aH back-up battery (not included) as per Z14
- Can be operated from alternative larger external battery and charger
- Controls 12V DC feed to energizer
- Can control a 240Vac energizer via external relay (not supplied) (12V coil, 240Vac rated contacts)
- Remote on/off or keyswitch
- Gate contact input
- Siren and strobe switched 12V DC outputs
- 3 on-board relays with many programmable functions.

### 2.1 *Limitations*

- An energizer used with the ZM1 must comply with IEC60335.2.76 (or similar) safety standard.
- The ZM1 supports conventional wiring only (not Bi-Polar), although 2 units could be used to monitor a Bi-Polar fence.
- The maximum energizer power is 36 Joules (Stafix M36 or similar).
- At this stage (Code Version 1.4 and earlier) a ZM1 cannot be used in a group either with other ZM1 units or with Z series energizers.

#### **NOTES:**

1. DFD operates on PCB Versions 1.1 and higher and firmware 1.40 and higher.
2. Anti-bridging operates with firmware 1.32 or higher.

## 3. OPERATION

### 3.1 Control Options

The ZM1 may be armed and disarmed (controlled) using a:

- Key switch or remote switch connected to the control input (IN1)
- Remote control radio receiver connected to IN1
- Z Series Keypad
- JVA GSM module
- Windows PC running JVA Perimeter Patrol (Pro version)
- Low level interface (wired to control inputs and relay outputs) from a third party security alarm panel or Physical Security Information System (PSIM)
- A high level interface

NOTE: More than 1 method may be used in the one installation.

### 3.2 Control Arbitration

If an installation contains two ways to control the ZM1/Energizer, then the most recent control signal will determine the Armed/Disarmed state. For example, if the ZM1 is armed via the keypad, and then disarmed at the control input (IN1), it will disarm.

The higher level control methods such as the GSM and PC control software may override the Control input and Keypads methods, depending on the options used. If you need to make sure that the fence is disarmed (for maintenance) then using the Key switch or keypad alone may not guarantee that the fence will remain disarmed.

### 3.3 Control Inputs

The ZM1 may have a single Key switch mounted on the right hand side of the cabinet which may be used to arm and disarm the security electric fence to which it is connected. This switch is useful for the simplest implementations where no keypad or PC control program is used. It may be disabled by the installer, by removing the lead from socket SW2.

When switched on via the Key switch (or a switch connected to IN1) the ZM1 will power up the energizer it is coupled to and begin monitoring the fence.

The LCD display will change to display the Feed and Ground voltages. If there is a fence fault the ZM1 will go into alarm, the internal beeper will sound (if it has not been inhibited) and any siren and strobe connected to the ZM1 will be turned on.

Switching the Key switch off will disarm the ZM1, though it will continue to display the alarm.



### 3.4 Keypad Control

The ZM1 uses the same keypads as the Z series energizers and is controlled using the same keypad codes outlined below. The keypad will also display the feed and return voltages of the fence, but not the ground voltage or fence current at this time. The standard alarms and alerts to problems (*Trouble*) will also be displayed.



#### 3.4.1 Using the Alpha Plus LCD Keypad

The LCD keypad has two LED's, *Power* and *Arm*, which act as follows:

- Power – On with mains power, flashes on low battery
- Arm – On when the ZM1 is armed.

All other indication is given via messages on the screen.

Whenever the keypad displays:

- ALARM ZONE
- FAULTED ZONE or
- SYSTEM TROUBLE

pressing the [#] key will reveal more information, such as the name of the zone or the actual system trouble, for instance AC Fail.

#### 3.4.2 Changing the USER PIN

Enter the old USER PIN followed by \*0# (star, zero, hash). Enter new 4-digit USER PIN and # (hash).

#### 3.4.3 Changing the Keypad Messages and Address

You can change the messages and each of the 8 zone labels.

The *Dealer Message* displays when the system is on standby.

*Zone* labels display after the [#] key is pressed during alarm memory or faults.

The programmable *Service Message* is displayed during AC failure, fuse failure, communication failure, or low battery.



## Keys used for changing messages

[1]	[2] Character up	[3] not used	Emergency not used
[4] <- Cursor left	[5] Next Message	[6] -> Cursor right	Fire not used
[7]	[8] Character down	[9]	Panic not used
[*]	[0] Last Message	[#] Enter / Exit	Bypass not used

- To activate the keypad programming mode, enter the [INSTALLER's PIN] [\*] [0][1] [#]. Information may be entered into the keypad in the form of letters (upper and lower case), numbers (0–9), and 22 special symbols. All characters are displayed in the order: upper and lower case letters, numbers, and special symbols. The [Space] character precedes the letter A.
- To enter a Label, use the [2] key to scroll through the characters until you reach the desired character. If you scroll past the desired character, the [8] key may be used to scroll backwards. **NOTE:** The space character is before the A character (When A is displayed, press [8] to create a space).
- When the desired character is displayed, press the [6] key to move the cursor to the next character position. The [4] key moves the cursor to the left.
- When all characters have been entered, press the [#] key to enter the message and move to the next message position.
- Use the [0] key to move backward through the messages.
- To change the keypad address, scroll through the messages until the keypad displays: *Keypad Address* then change the value by pressing [2] (up) or [8] (down). Validate by pressing #

**NOTE:** If you move to the next message using [5] instead of the [#] key, you will lose any changes you made!

### Notes on keypad addresses:

Up to 3 keypads can be used in a system. When using 2 or 3 keypads in a system, one of the keypads **MUST** be set to address 2 and the second one should be set to a value between 1–7. Do not set this to address 8 as this address uses a different protocol. If a third keypad is used, its ID must also be set to a unique value between 1 and 7.

### The message order is:


- SERVICE MESSAGE (Displayed under *SYSTEM TROUBLE*)
- DEALER MESSAGE (Displayed under the standby message: *READY TO ARM*)
- SOFT ZONE IDENTIFIERS (A, B, and C) (not used)
- HARDWIRED LOOP IDENTIFIERS (*Zone 1 = Gate, Zone 3 = Fence*)
- KEYPAD ADDRESS (should be left at 1 for energizers with firmware older than 7V51)

### 3.4.4 To Exit Keypad Programming

When you have finished programming, press [\*] [#]

**NOTE:** The keypad will also exit the programming mode if you do not press any key within a five minute period.

#### Summary of LCD Keypad Functions

Function	Key Sequence
Arm/Disarm	[User PIN][#]
Silence an alarm (single zone system only)	[User PIN][#]
Start programming the Z series energizer	[Installer PIN][*] [0] [#]
Start programming the keypad	[Installer PIN][*] [0] [1] [#]
Exit programming (any mode)	[*] [#]
Change a USER PIN	[User PIN][*]0[#][New PIN]#
Change the INSTALLER PIN	[0] [0] [New Installer PIN][#]
Arm <i>All Zones</i> (multi-zone groups)	[User PIN][*][1][0][#]
Arm <i>Zone 1</i> (Master)	[User PIN][*][1][1][#]
Arm <i>Zone 2</i> (on Z28 or Slave in group)	[User PIN][*][1][2][#]
Disarm <i>All Zones</i>	[User PIN][*][2][0][#]
Disarm <i>Zone 1</i> or Master	[User PIN][*][2][1][#]
Disarm <i>Zone 2</i> (on Z28 or Slave in group)	[User PIN][*][2][2][#]
Switch to low power mode (all zones)	[User PIN][*][4][1][#]
Switch to high power mode (all zones)	[User PIN][*][4][2][#]
To change the Keypad Messages to English	[*][3][1][#]
To change the Keypad Messages to Spanish	[*][3][2][#] (not well supported yet)
Keypad Audible Feedback Toggle	[*] [5] [1] [#]
Keypad Alarm Beeper (Chime) On/Off	[*] [5] [3] [#]
Keypad Error Tones Toggle On/Off	[*] [5] [4] [#]
Backlight Toggle On/Off	[*] [8] [#]
Display Keypad Model	[*] [9] [#]
Reset and display firmware version number	[User PIN][*][6][8][#]
Power Boost	[*] [9] [9] [#]
Siren test	[*] [6] [3] [#]
Battery test	[*] [6] [4] [#] only while dis-armed
Clear Alarm memory	[*] [1] [#]
Proposed Function	Proposed Key Sequence
Pre-warn toggle on/off	[*] [5] [2] [#]
Reset and return to factory defaults	[Installer PIN][*] [6] [8] [#]
Emergency	 Hold for 3 seconds.

### 3.5 Jumper Configuration

The ZM1 is equipped with four jumpers. Two of them (J3 and J4) are special purpose jumpers (links). The purpose of each is listed in the table below.

Jumper	Function	Purpose
J3	DC only jumper	Remove J3 to inhibit mains fail errors if the intention is to operate the Z14 on DC only (as in Solar Power systems)
J4	Factory default jumper	If the monitor unit needs to be defaulted to factory settings, remove all power – mains and battery – and remove the J4 jumper. Reapply the battery power first, and then the mains power. Reapply the J4 jumper and the unit will be reset to default settings. If <i>Status LED</i> flashes four times after defaulting the unit, return it to the nearest JVA service centre.

The 3rd jumper, J5, when fitted, will suppress the beeper on the ZM1.

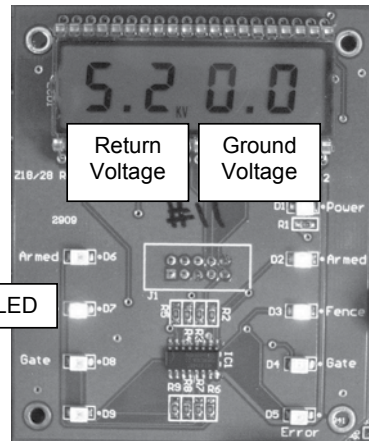
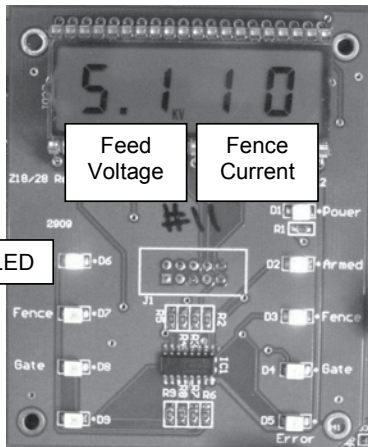
The fourth jumper (J6) allows the supply voltage for the energizer to be set. If the top two pins are selected (12V Regulated) then the energizer supply voltage will be the same as the PAE202 battery voltage (between 12 and 14.5 volts). If the bottom two pins are selected (24V Unregulated) the voltage supplied to the energizer will depend on the type and size of AC power adapter used, but may be as high as 24 volts.

### 3.6 LCD Display

The LCD display on the ZM1 will switch between two different display modes. The mode shown can be identified by the feed and return LED's on the status panel.

The picture on the left below shows the feed mode, which shows the voltage at the start of the fence, and the current flowing into the fence. The picture on the right shows the voltage at the end of the fence, and the ground voltage.

Note that the return voltage can be inhibited with programming option 15 if only the start of the fence is to be monitored.



### 3.7 Status LED Lights

The status LED's on the front of the ZM1 allow the user to quickly ascertain the current status of the unit and if any action needs to be taken. Below is a brief description of each LED (from left to right, top to bottom) and the information it conveys.

- Power – On whenever the unit has power
- Feed – Tells the user that the LCD is displaying the *Feed Voltage* (left) and *Fence Current* (right)
- Armed – On when the unit is armed (pulsing)
- Return – Tells the user that the LCD is displaying the *Return Voltage* (left) and *Ground Voltage* (right)
- Fence – On when there is a fence alarm (either channel)
- Gate – On when there is a gate alarm
- Ground – On when there is a ground alarm (specific meaning will vary depending on ground configuration) (Please refer to the installation chapter for more information.)
- Status – Flashes an error code for monitor (service) errors. These error codes are identical to the Z energizer range. The table below shows the Status LED Error Codes.

Error LED Number of Flashes	Interpretation	Corrective Action
2	16Vac mains fail	Restore mains power
3	Low battery, bad battery	Charge or replace battery
4	PCB service fault	Return to repair/service centre. Note: A Z slave will show this error if disconnected from the Master.

### 3.8 Front Label

As can be seen in the picture alongside, the front label clearly labels the different LED functions and LCD display modes.



## 4. SPECIFICATIONS

The specifications table below outlines the power consumption of the ZM1 and the acceptable voltage and current ranges for different inputs and outputs.

Internal battery charger float voltage	14.3Vdc
Internal battery charger charging current	580mA
Absolute maximum power consumption of ZM1 (Note 1)	85mA at 12.5Vdc
Maximum AC input voltage when internal battery charger is supplying 580mA	19Vac
Maximum DC energizer current from <i>ENERGIZER</i> powered output if using 16Vac supply and internal battery	2.3 Amps
Amps maximum DC energizer current from <i>ENERGIZER</i> powered output if using external power supply and battery	10 Amps
Maximum voltage on <i>In1</i> , <i>SW2</i> and <i>Gate</i> inputs (Note 2)	5Vdc
Maximum power provided to <i>Siren</i> and <i>Strobe</i> outputs (Note 3)	35Watts
Maximum fence voltage	9.9kV
Maximum fence current	80 Amps
Recommended operating temperature	-15°C to +50°C

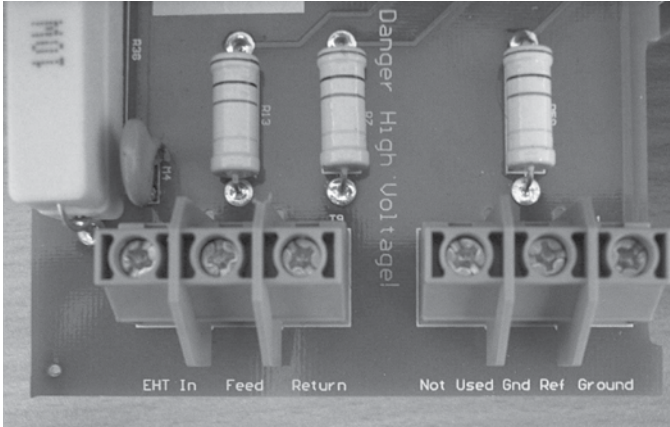
**Note 1:** This is the power consumption when none of the powered outputs are active and the keypad is not connected. The rated power consumption may be lower depending on relay configuration and alarm states.

**Note 2:** The control inputs, *In1*, *SW2* and *Gate* supply their own power (5 volts, limited to 220µA). If a powered control system is connected to these inputs, the control voltages must not exceed 5 volts.

**Note 3:** The rated power is the combined output power of both the *Siren* and *Strobe* outputs. The voltage which can be expected on this output is the battery voltage. The combined maximum output current of both these outputs is 2.5 Amps. Note that the maximum output power will drop as battery voltage drops.

## 5. INSTALLATION

### 5.1 EHT Terminals on the ZM1



**Description of high voltage terminals (left to right)**

EHT In	Connect the high voltage output of the energizer to this terminal to allow fence current to be measured.
Feed	Connect the start of the fence to this terminal. Voltage at <i>Feed</i> will be the same voltage as <i>EHT In</i> .
Return	Connect the end of the fence to this terminal. The <i>Return</i> voltage will normally be lower than the <i>Feed</i> voltage.
Not Used	This terminal is unused at this time.
Ground Ref	Reference ground connection. Please refer to diagrams <i>Earth Loop Monitoring</i> , <i>Earth Spike Monitoring</i> and <i>No Earth Monitoring</i> for information on how to configure this input.
Ground	Main fence earth. Please refer to diagrams <i>Earth Loop Monitoring</i> , <i>Earth Spike Monitoring</i> and <i>No Earth Monitoring</i> for information on how to configure this input.

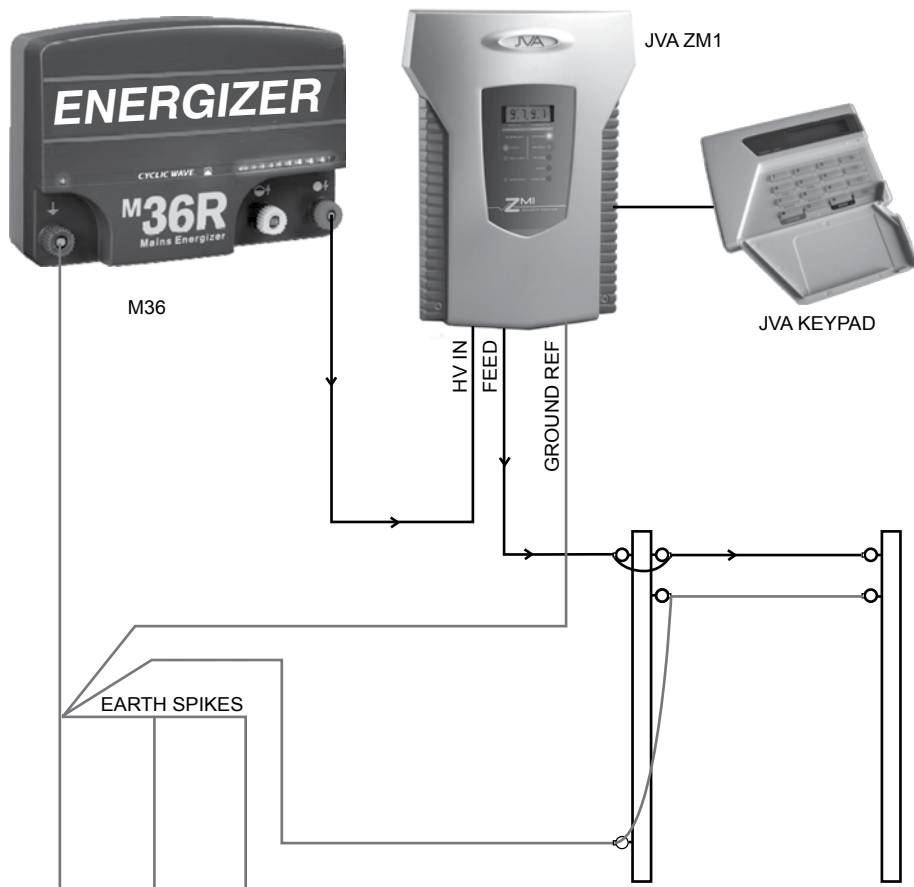


## 5.2 Fence Wiring Diagrams

There are a number of ways the fence wires can be connected to a ZM1. The following diagrams will outline different ways in which the ground circuit can be configured and what the benefits of each are.

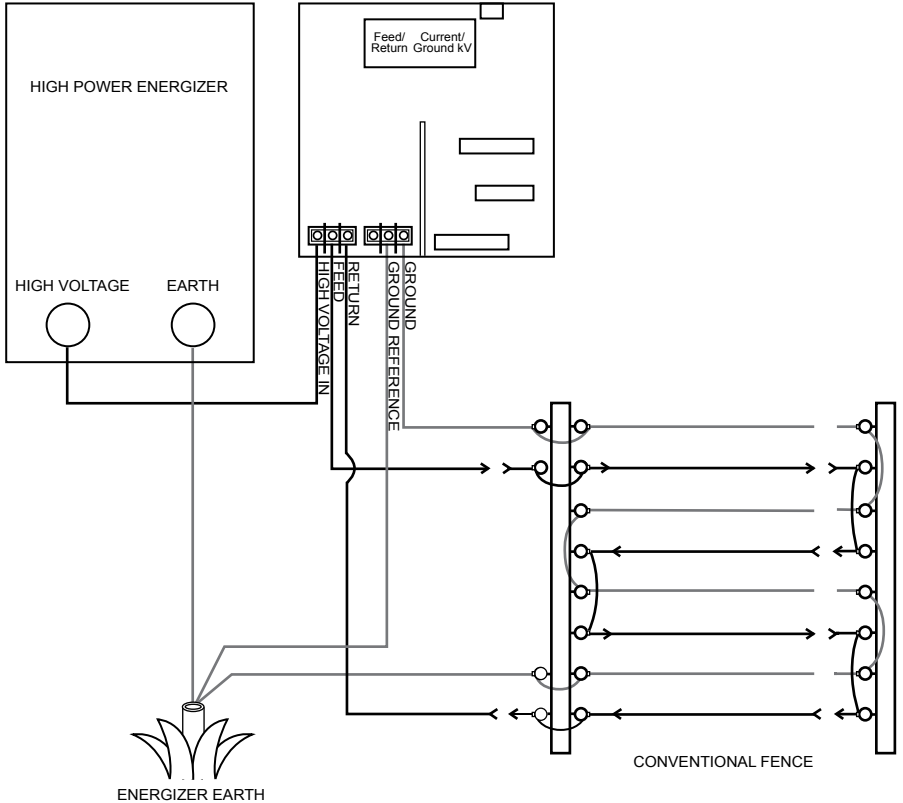
### 5.2.1 Configuration with NO Return Wire from Fence

**NOTE:** Please refer to programming option Fence Mode (point 6.3.13) on page 28.



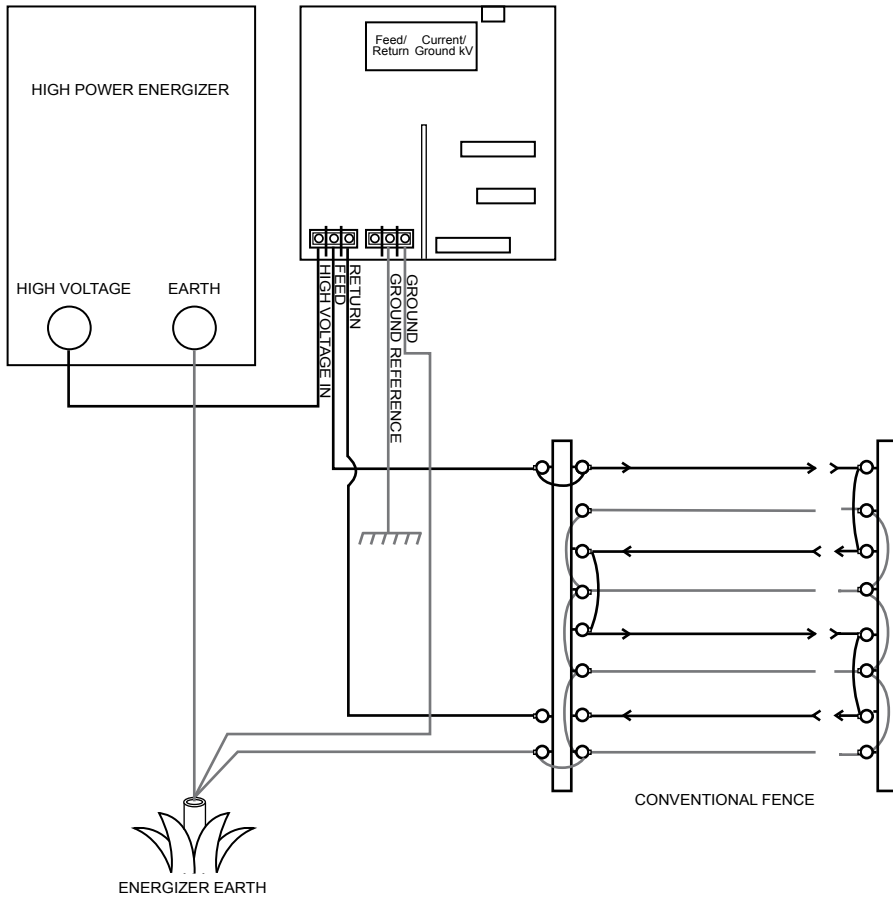
**5.2.2 Earth Loop Monitoring**

The set up pictured below will detect if the ground wire has been cut. Connect the *Ground Reference* input to the energizer *Earth*, and the *Ground* input to the other end of the earth fence loop.



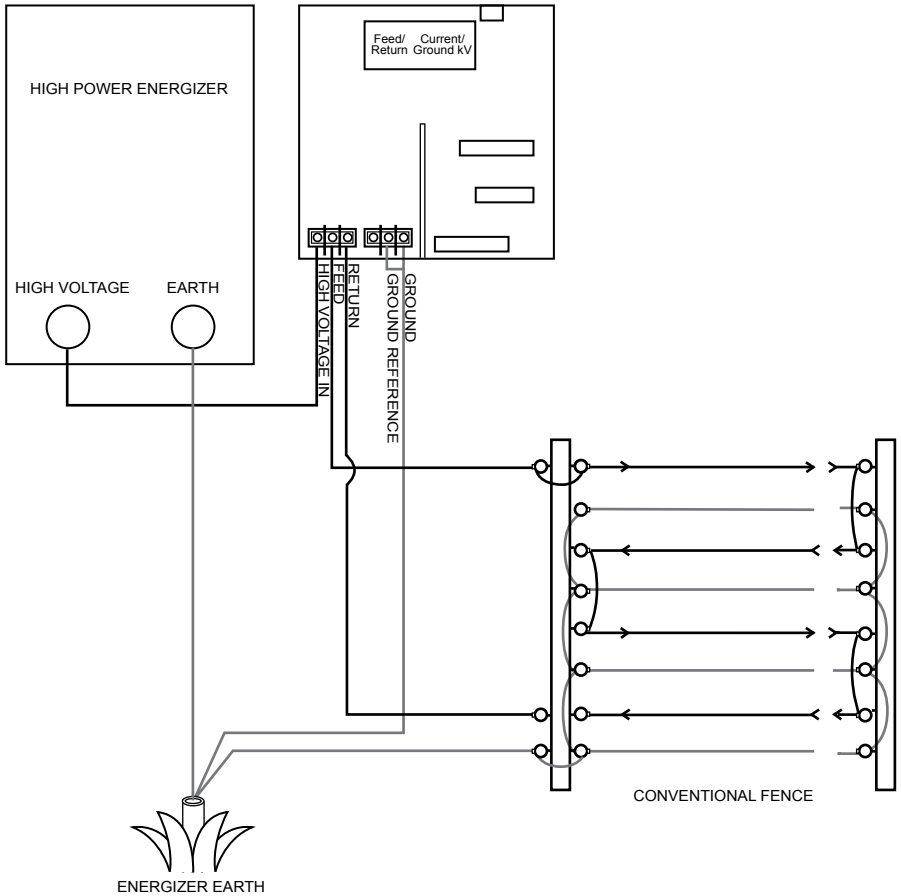
### 5.2.3 Earth Spike Monitoring

This setup will check how well the energizer is earthed. Connect the *Ground Reference* input of the ZM1 to the mains earth, or the cabinet earth. This Ground Reference must be more than 10m away from the Energizer Earth.

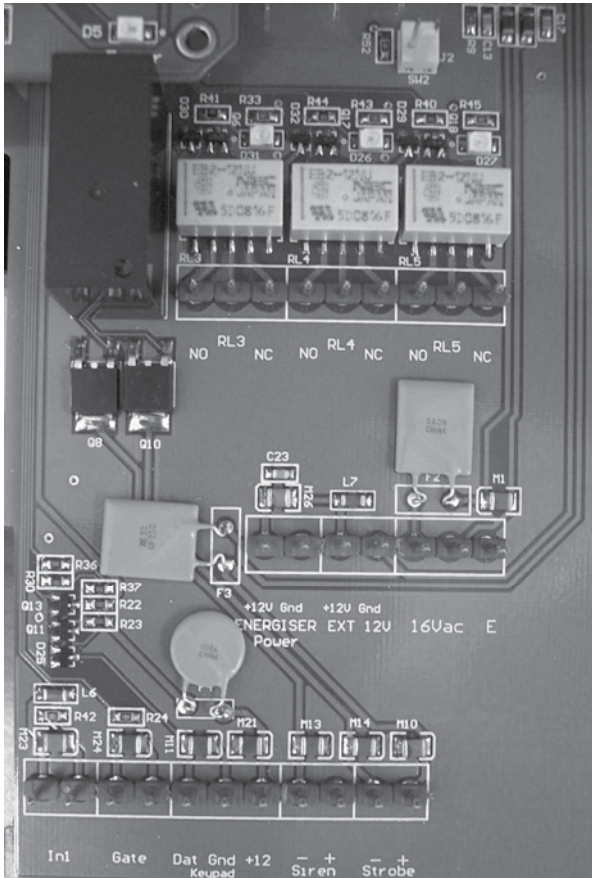


**5.2.4 No Earth Monitoring**

This setup will monitor only the fence feed and return voltages and fence current. Connect the *Ground Reference* and *Ground* inputs to each other with a short piece of wire.



**5.3 Low Voltage Terminals on the ZM1**



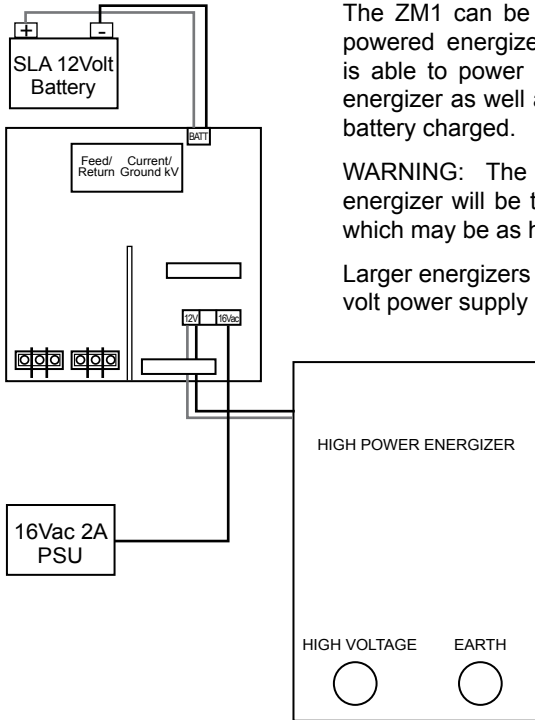
See page 20 for a table giving the Type and Description of each component labelled above.



Label	Type	Description
IN1	2 Way	Energizer control input (dry contact). Defaults to normally open. Can be used for a remote switch or a radio receiver. The receiver may be powered from the keypad +12V terminal.
Gate	2 Way	ZM1 Gate Input, when the unit is armed and the gate is opened, it will trigger the gate alarm.
Keypad	3 Way	Supplies power and data line for an external keypad. The +12 source on these terminals is protected with a 1A self resetting fuse.
Siren	2 Way	Switched 12 volt output. Low side switched. 35W max (including strobe). A buffer relay should be used when connecting these outputs to an alarm panel.
Strobe	2 Way	Switched 12 volt output. Low side switched. 35W max (including siren). A buffer relay should be used when connecting these outputs to an alarm panel.
Energizer Power	2 Way	Powered output which is enabled when the ZM1 is armed. Power is drawn from the ZM1 battery and 16Vac power supply, or from the EXT 12V input.
EXT 12V	2 Way	Input used for DC energizers which exceed the supply rating of the 16Vac transformer (greater than 12 Joules output).
16V AC IN	3 Way	16Vac power input. Fused via F3 3A self resetting fuse.
Relay 3	3 Way	May be set to any of 16 alarm conditions.
Relay 4	3 Way	May be set to any of 16 alarm conditions.
Relay 5	3 Way	May be set to any of 16 alarm conditions.
Batt	Leads	12V dc or battery connection via F1 (3 Amp self resetting fuse). Connect Red lead to battery positive (+) terminal. (not pictured on page 17)
SW2	2 Way	Energizer control input. Normally connected to a key-switch (not pictured on page 17).

## 5.4 Low Voltage Wiring Diagrams

### 5.4.1 16Vac 2Amp Power Supply

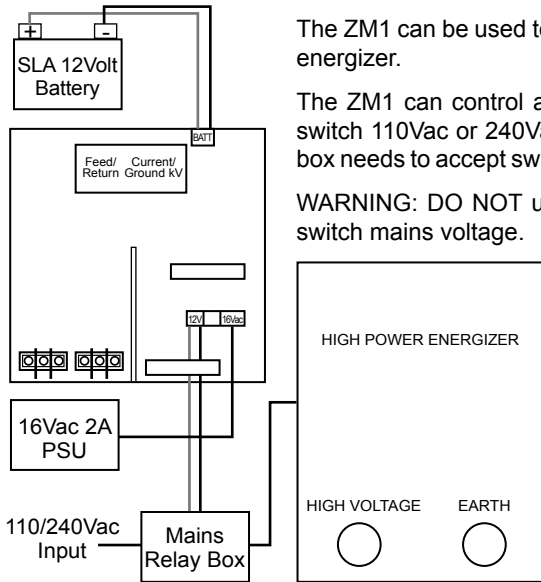


The ZM1 can be used to power an external high powered energizer. A 16Vac 2Amp power supply is able to power a B5, B8 or B12 (or equivalent) energizer as well as the ZM1 and keep the backup battery charged.

**WARNING:** The DC voltage supplied to the energizer will be the rectified voltage of the 16Vac which may be as high as 30Vdc.

Larger energizers will need to utilise the external 12 volt power supply input.

## 5.4.2 Controlling a 240Vac Energizer

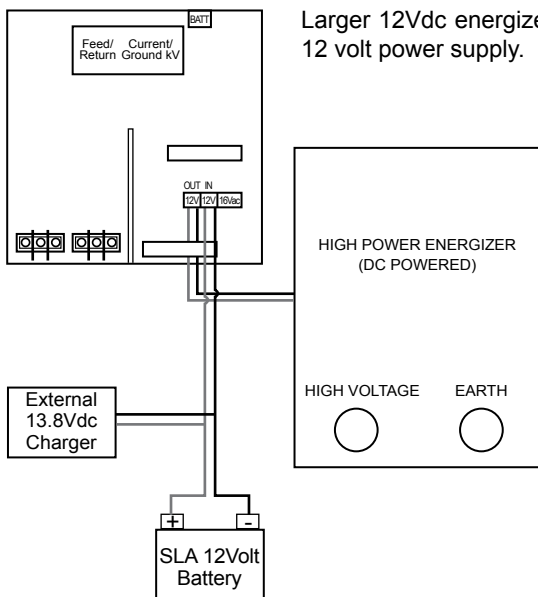


The ZM1 can be used to power an external high-powered energizer.

The ZM1 can control an external relay box designed to switch 110Vac or 240Vac powered energizers. The relay box needs to accept switching voltages of up to 13.8 volts.

**WARNING: DO NOT** use relay 3, 4 or 5 on the ZM1 to switch mains voltage.

## 5.4.3 External Battery and Charger



Larger 12Vdc energizers will need to utilise an external 12 volt power supply.

To power the ZM1 from the external battery and charger, ensure Jumper J6 is placed on the 12V *regulated* pins. Do not connect a 16Vac supply to the ZM1.



## 6. PROGRAMMING OPTIONS

Like the Z series of security energizers, the ZM1 has a non-volatile memory in which programming options (or setup parameters) can be stored. These are factory pre-set, but can be field programmed using a keypad.

### 6.1 Programming Basics

Some of the programming options on the ZM1 are different to those on the Z series of security energizers, but the basic functions remain the same.

#### 6.1.1 Entering Programming Mode

To enter programming mode, enter the 6 digit INSTALLER PIN followed by \*0# keys. The keypad will beep twice to indicate that the command was accepted. If the PIN was incorrect the keypad will beep 3 times. The LCD will now show the first programming option and its current setting.

Pressing the # key will cycle through all the options on the LCD.

**NOTE:** Not all numbers are used. The default INSTALLER PIN is **012345**.

#### 6.1.2 Exiting Programming Mode

To exit programming mode once programming has been completed, press \*#. If left unattended, the unit will time out and auto exit after approximately 5 minutes.

#### 6.1.3 Changing the INSTALLER PIN

The INSTALLER PIN may only be changed while in programming mode.

To enter a new INSTALLER PIN, press 00 followed by the new 6 digit INSTALLER PIN, then the # key.

If you cannot remember your INSTALLER or USER PIN, return the units memory to default. To do this, remove power (AC off and disconnect the battery), open the energizer, remove jumper J4 and reconnect the battery for about 10 seconds. Do not forget to re-fit J4. This will return all options to the factory set defaults.

#### 6.1.4 Changing an Option

Most of the options have possible values in the range of 0 to 9.

To change any options, first check the option number (see table on page 24) and then the *Programming Options in Detail* on page 25. Then press the option number followed by the required value. For example, to change the Missed Pulse Count (Option 06) to maximum (9 is the Maximum) press **069#**, the keypad will beep twice to indicate that the command was successful. The ZM1 LCD will immediately show the updated value.

## 6.2 Programming Options Table

Option	Function	Description
01	Fence alarm voltage level	Sets the voltage below which the fence alarm will occur. If the feed OR return voltage falls below this level for more than the <i>Missed Pulse Count</i> a fence alarm ( <i>Zone 1</i> ) will occur. If the return voltage is not being used set option 15 to 1.
02	Current alarm level	Sets the threshold to alarm on current from the feed terminal to the fence. If the feed current rises above this level for more than the <i>Missed Pulse Count</i> a fence alarm ( <i>Zone 1</i> ) will occur.
03	Ground Voltage alarm level	Sets the voltage above which the fence alarm will occur. If the ground voltage rises above this level for more than the <i>Missed Pulse Count</i> a ground alarm ( <i>Zone 2</i> ) will occur.
06	Missed Pulse Count	Sets the number of pulses which may be missed before the alarm is activated.
07	Battery Alarm Voltage	Sets the battery voltage threshold below which the general alarm will activate.
08	Siren On Time	Sets the time that the siren (and keypad beeper) will stay on after an alarm.
09	Siren Off Time	The amount of time the siren will remain off after the <i>On Time</i> has expired.
10	Siren Cycles	The number of times the siren will sound for the time set in <i>On Time</i> above. After this many cycles the siren will automatically mute.
11	Input type	Allows the ZM1 inputs to be changed from normally open to normally closed.
12	Gate Input Function	Gate switch only for now.
13	Gate Exit Delay	Duration of time from gate switch opening to alarm.
14	Chime Mode	Allows the keypad and internal beeper function to be altered.
15	Fence Mode	Set to 1 if using start of fence only, removes return voltage from display and alarm.
16	Binary Options	Miscellaneous options
17	Anti-Bridging	Sets the % threshold for alarm on a sudden rise or fall of fence current.
20	Auto Re-Arm Time	Sets the time which must elapse after an alarm has timed out (completed the siren cycles) before the unit will automatically re-arm ready for the next alarm event.
21	Relay 1	Used to assign an alarm function to relay 1 (siren output)
22	Relay 2	Used to assign an alarm function to relay 2 (strobe output)
23	Relay 3	Used to assign an alarm function to relay 3
24	Relay 4	Used to assign an alarm function to relay 4
25	Relay 5	Used to assign an alarm function to relay 5
26	Group ID	If used as part of a SCADA system, this sets the device ID

### 6.3 Programming Options in Detail

Note: The bold panel in each table indicates the default value.

#### 6.3.1 Fence Alarm Voltage Level (01x#)

This option sets the voltage below which the fence alarm will occur. If the feed OR return voltage falls below this level for more than the *Missed Pulse Count* a fence alarm (*Zone 1*) will occur. If the return voltage is not being used, set option 15 to 1.

Unlike the other Z series energizer the value is set directly, not via a table. For example to set a threshold of 5.0kV enter: 0 1 5 0 # (Do not enter the decimal!)

The default level is 4.0kv (40).

Value (x)	Alarm Level
Minimum	
0	0.0 kV
Maximum	
99	9.9 kV

*Fence Alarm Voltage Level (01x#)*

#### 6.3.2 Current Alarm Level (02x#)

This option sets the threshold to alarm on current from the feed terminal to the fence. If the feed current rises above this level for more than the *Missed Pulse Count* a fence alarm (*Zone 1*) will occur.

Unlike the other Z series energizer, the value is set directly, not via a table. For example to set a threshold of 5A enter: 0 2 0 5 #

The default level is 10A.

Value (x)	Alarm Level
Minimum	
0	0 Amps
Maximum	
75	75 Amps

*Current Alarm Level (02x#)*

#### 6.3.3 Ground Voltage Alarm Level (03x#)

This option sets the voltage above which the fence alarm will occur. If the ground voltage rises above this level for more than the *Missed Pulse Count* a ground alarm (*Zone 2*) will occur.

Unlike the other Z series energizer, the value is set directly, not via a table. For example, to set a threshold of 2.0kV enter: 0 3 2 0 #

Do not enter the decimal!

The default level is 1.0kv (10)

Value (x)	Alarm Level
Minimum	
0	0.0 kV
Maximum	
50	5.0 kV

*Ground Voltage Alarm Level (03x#)*

### 6.3.4 Missed Pulse Count (06x#)

The *Missed Pulse Count* option is identical to that of the Z series of security energizers.

This option enables the pulse count to be varied from the default (3). This is the number of bad or missing pulses that are counted before the alarm occurs.

**NOTE:** The lower this option is set, the more likely you are to get false alarms

Value (x)	Missed Pulses
0	1
1	1
2	2
<b>3</b>	<b>3</b>
4	4
5	5
6	6
7	7
8	8
9	9

*Missed Pulse Count (06x#)*

### 6.3.5 Battery Alarm Voltage (07x#)

This option sets the battery voltage threshold below which the general alarm will activate. The default Battery Alarm Voltage is 10.0 Volts. This alarm can be set to activate one of the relays, and is part of the *General* alarm, see below.

**NOTE:** The ZM1 will not turn the energizer off when the battery voltage is low. But if the supply voltage falls too low the relay powering the external energizer will eventually drop out.

Value	Alarm
0	9.0V
1	19.5V
<b>2</b>	<b>10.0V</b>
3	10.5V
4	11.0V
5	11.5V
6	12.0V
7	12.5V
8	13.0V
9	13.5V

*Battery Alarm Voltage (07x#)*

### 6.3.6 Siren On Time (08x#)

The *Siren On Time* option is identical to that of the Z series of security energizers.

This option sets the duration of time that the siren will remain on after a fence alarm occurs. After this time the siren will turn off for the *off* time indicated in the table in 6.3.7 *Siren Off Time Values*. The siren will sound again if the alarm is still present after this *off* time has passed.

The default is 3 Minutes. This may be the subject of local regulations to stop an alarm causing undue disturbance to neighbours, etc.

**NOTE:** The *Siren On Time* will be cut short if the battery falls below the low battery level.

Value	Time
0	10 Seconds
1	30 Seconds
2	1 Minute
3	2 Minutes
<b>4</b>	<b>3 Minutes</b>
5	4 Minutes
6	5 Minutes
7	6 Minutes
8	7 Minutes
9	8 Minutes

*Siren On Time (08x#)*

**6.3.7 Siren Off Time (09x#)**

The *Siren Off Time* option is identical to that of the Z series of security energizers.

This option sets the amount of time the siren will be off for after the *on* time above has expired. If an alarm is still present after this *off* time the siren will sound again.

Value	Time
0	10 Seconds
1	1 Minute
2	2 Minutes
3	5 Minutes
<b>4</b>	<b>10 Minutes</b>
5	20 Minutes
6	30 Minutes
7	40 Minutes
8	50 Minutes
9	60 Minutes

*Siren On Time (09x#)*

**6.3.8 Siren Cycles (10x#)**

The *Siren Cycles* option is identical to that of the Z series of security energizers.

This option sets the maximum number of times the siren will sound for the *On Time* if the alarm continues. This may be limited by local regulations to stop an alarm causing undue disturbance to neighbours, etc.

**NOTE:** This is the maximum number of cycles for 1 continuous alarm. Intermittent alarm events could cause more than this number of siren soundings.

Value	Cycles
0	1
1	1
2	2
<b>3</b>	<b>3</b>
4	4
5	5
6	6
7	7
8	8
9	9

*Siren Cycles (10x#)*

**6.3.9 Input Type (11x#)**

The *Input Type* option is identical to that of the Z series of security energizers.

The control inputs can be inverted unless an input is used for a *Gate* switch, in which case it is always NC.

Value	Input type
<b>0</b>	<b>NO Normally Open</b>
1	NC Normally closed

*Input Type (11x#)*

**6.3.10 Gate Input Function (12x#)**

This input can not be configured to anything other than a *Gate* input at this time.

**6.3.11 Gate Exit Delay (13x#)**

The *Gate Exit Delay* option is identical to that of the Z series of security energizers. This option sets the time between the gate switch opening and the siren sounding.

Value	Function
0	0 Seconds (immediate)
1	30 Seconds
<b>2</b>	<b>1 Minute</b>
3	2 Minutes
4	3 Minutes
5	4 Minutes
6	5 Minutes
7	6 Minutes
8	7 Minutes
9	8 Minutes

*Gate Exit Delay (13x#)*

**6.3.12 Chime Mode (14x#)**

The *Chime Mode* option is identical to that of the Z series of security energizers.

This option allows the energizer internal and keypad beeper to be used as a door chime for the gate switch. When set to *None*, the keypad beeper is used to indicate correct keypad operation only. In *Door Chime* mode, the beepers sound when the gate switch opens, even if the energizer is disarmed. **NOTE:** *Gate* must be selected in option 12.

Value	Function
0	None
1	Door Chime
<b>2</b>	<b>Siren</b>
3	Fence Alarm
4	Gate Beeps plus Siren

*Chime Mode (14x#)*

If set to *Siren*, the beepers mimic the siren function.

*Gate Beeps plus Siren* will give 2 beeps when the gate starts opening and 4 beeps when it closes, plus continuous beeps for an alarm. Beeps are on the keypad only, not on the internal beeper.

**6.3.13 Fence Mode (15x#)**

This option configures if the return voltage should be monitored. If set to 1, this option will stop the return voltage from being displayed on the LCD, and inhibit any alarms which may normally be triggered owing to no voltage being present on the return input.

Value	Function
<b>0</b>	<b>Monitor Return</b>
1	Feed only

*Fence Mode (15x#)*

**6.3.14 Binary Options (16x#)**

Each option in this table can be turned on by adding the value.

For option +1 set 16 to 01, for +1 and +2 set 16 to 03.

+1: Enable DFD™ (Distant Fault Detection).  
Firmware V1.40 and later, PCB V1.10 and later.

DFD™ enables the ZM1 to detect a fault at the end of very long fences. Instead of only measuring the peak current the ZM1 with DFD™ calculates the “real” current and rejects the “reactive” current.

The current displayed will usually be less than read by a standard hand-held meter with this feature on. There is no theoretical limit to the length of fence that the ZM1 can monitor with this feature on. Without DFD™ the limit is approximately 8km.

\* DFD™ is Trade Mark and Patent Pending by Ex-PT Pty Ltd.

Value	Function
0	None
+1	Engage DFD*

*Binary Options (16x#)*

**6.3.15 Anti-Bridging Threshold (17x#)**

Anti-Bridging has been designed to detect a section of fence being bypassed, and removed, by an intruder bridging the adjacent fence sections together. This also detects when the feed is connected to the return with a short cable, and then the entire fence is cut.

Setting this option to a value greater than 0 (default is 0 = off) will enable Anti-Bridging.

While Armed, a Fence Alarm will trigger if the Fence Current rises OR falls quickly by more than the threshold. A slow change to the Current will not trigger a Fence Alarm until the Current is more than the Current Alarm Level (02x#)

The Anti-Bridging Threshold is a percentage value of the Fence Current. For example, setting option 17 to 50 (1750#) will set a 50% Anti-Bridging Threshold. At this level a Fence Current normally reading 10Amps will trigger a Fence Alarm if the Current quickly rises to over 15A or falls to less than 5A.

Measuring fence current to determine if a fence is bridged will work irrespective of the energizer type powering the fence.

Value (x)	Threshold
Minimum	
0	Disabled
Maximum	
90	90%

*Anti-Bridging Threshold (17x#)*

### 6.3.16 Auto Re-Arm Time (20x#)

The *Auto Re-Arm Time* option is identical to that of the Z series of security energizers.

This option sets the time which must elapse before another alarm will sound after the first alarm has timed out (gone completely through its cycles).

If an event occurs (such as a low fence voltage) which triggers the siren, any other events which would otherwise trigger the siren (such as a gate alarm) will be ignored while the siren is sounding and until after the Auto Re-Arm time has passed.

A setting of 9 will disable auto Re-Arm.

If this time is set to less than the *Siren Off Time*, the unit may re-arm in the siren off time and the number of siren cycles will be reduced.

Value	Function
0	0 Seconds (immediate)
1	30 Seconds
2	1 Minute
3	2 Minutes
4	3 Minutes
5	4 Minutes
6	5 Minutes
7	6 Minutes
8	7 Minutes
9	Disabled – Do not auto re-arm

*Auto Re-Arm Time (20x#)*

### 6.3.17 Relay Functions

All relays can be set to any of the available functions (user assignable).

Relay 1 is (21x#)

Relay 2 is (22x#), etc

**Defaults for the ZM1:**

- Relay 1 – Siren
- Relay 2 – Strobe
- Relay 3 – Fence 1
- Relay 4 – Armed
- Relay 5 – General

**NOTE:** The siren and strobe switched 12V outputs can be used to drive external buffer relays.

Value	Function
0	Fence 1
1	Fence 1 or off
2	Armed 1
3	Ground Voltage
4	Ground Voltage or Off
5	Not used
6	Bi-Polar
7	General
8	Siren
9	Strobe
10	AC Fail
11	Low/Bad Battery
12	Tamper
13	Not used
14	Gate Alarm
15	Siren caused by Gate
16	Not used

*Relay Functions*



Function	Logic for alarm state (opposite of normal state)
Fence alarm	The ZM1 is Armed AND the fence voltage has fallen below the Fence Alarm Voltage Level (Option 01) for more pulses than the Missed Pulse Count. Not latched.
Fence alarm or off	The ZM1 is Disarmed OR the ZM1 is Armed and fence voltage has fallen below the Fence Alarm Voltage Level for more pulses than the Missed Pulse Count. Not Latched.
Fence Bipolar	Not applicable to the ZM1.
Armed	The ZM1 is Armed.
General	AC fail OR Tamper OR Low battery OR internal error. Latched for internal errors only.
Siren	Fence alarm 1 OR fence alarm 2 OR Gate Or Tamper, will time out after the siren time out time. This function is latched.
Strobe	As per siren but does not time out, will remain on until the ZM1 is Disarmed. This function is latched.
AC Fail	Alarm on AC fail.
Battery	Alarm on low or bad battery.
Tamper	Not applicable to the ZM1.

**6.3.18 Group Mode (26x#)**

At this time it is not possible to connect ZM1s into a group.

Since the ZM1 cannot control the pulse timing of an attached energizer it cannot be grouped for the purposes of synchronising. Nor can it be included in a group with other Z series energizers.

It may be necessary to change 26 to 1 to enable PC control of the ZM1.

Value	Function
<b>0</b>	<b>No Group</b>
1	Master
2	Slave 1
3	Slave 2
4	Slave 3
5	Slave 4
6	Slave 5
7	Slave 6
8	Slave 7
9	Slave 8

*Group Mode (26x#)*

**INSTALLER DETAILS**

**Name** .....

**Phone No.** .....

**Date Of Installation** .....

**CUSTOMISED CODES**

**Customer Pin No.** .....

**Installer Pin No:** .....



## 7. WARRANTY

All JVA products carry a **2-year warranty** against defective components and workmanship. The warranty excludes damage caused by acts of Nature such as lightning or flooding, power supply surges, rough handling, malicious actions or incorrect wiring.

Whilst every effort has been made to check that the information contained in this manual is accurate, JVA Technologies Pty Ltd will not be liable to loss or damage resulting from construction, operation or failure of any installation or system. Installation of security electric fences should be made by trained professionals with regard to the relevant local standards and workplace health and safety requirements.

Product model purchased: ..... Serial No.: .....

Customer Name: .....

Address: .....  
.....  
.....

Postal Code: .....

Tel. No.: ..... Cell: ..... Landline: .....

email: .....

Date purchased: .....

Invoice No.: .....

Dealer Name: .....

### Dealer's Stamp



**Mail to your local JVA Dealer:  
RSA JVA Service Department, P.O. Box 13898, Cascades 3202  
Republic of South Africa**

**Warranty**

# Z-RANGE



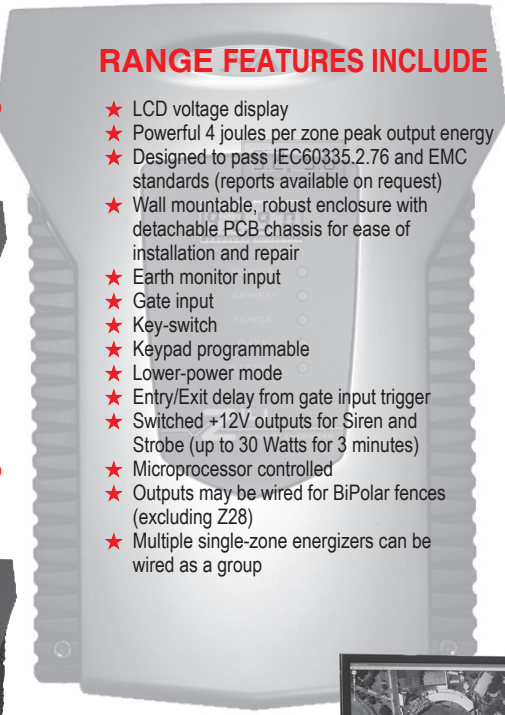
**Z14 STANDARD AND BI-POLAR ENERGIZERS**



**Z18 STANDARD AND BI-POLAR ENERGIZERS**



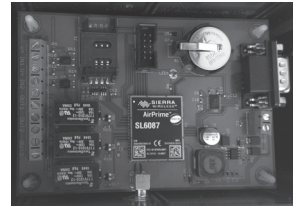
**Z28 STANDARD 2-ZONE ENERGIZER**



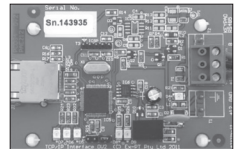
## RANGE FEATURES INCLUDE

- ★ LCD voltage display
- ★ Powerful 4 joules per zone peak output energy
- ★ Designed to pass IEC60335.2.76 and EMC standards (reports available on request)
- ★ Wall mountable, robust enclosure with detachable PCB chassis for ease of installation and repair
- ★ Earth monitor input
- ★ Gate input
- ★ Key-switch
- ★ Keypad programmable
- ★ Lower-power mode
- ★ Entry/Exit delay from gate input trigger
- ★ Switched +12V outputs for Siren and Strobe (up to 30 Watts for 3 minutes)
- ★ Microprocessor controlled
- ★ Outputs may be wired for BiPolar fences (excluding Z28)
- ★ Multiple single-zone energizers can be wired as a group

**PERIMETER PATROL COMPLETE CONTROL SYSTEM MONITORING EVENT LOGGING**



**GSM MONITORS AND CONTROLS JVA ENERGIZERS USING A CELL PHONE**



Package Contents:

- JVA Web Server

Warranty:

3 Years. Excludes lightning damage.

**WEB SERVER MONITORS AND CONTROLS ENERGIZERS VIA THE INTERNET**



## Customer Support

**For assistance:** If you have any questions or need further assistance, please call your nearest JVA dealer. RSA Tel. No.: 0861 782 349.

**For service or repairs:** If a service or repair is required, please package and label your energizer carefully and return it to your local JVA Service Centre.

**For warranty repairs:** Include proof of purchase, e.g. invoice.

**Note:** Repair centre details are displayed on the back cover of this manual.



## JVA ELECTRIC FENCE SYSTEMS

JVA products are designed by JVA Technologies,  
Queensland, Australia and distributed to:



AUSTRALIA



AFRICA



NEW ZEALAND



LATINO AMERICA



CARIBBEAN



SOUTH EAST ASIA



EUROPE



RUSSIA



INDIA



USA



MEXICO



CENTRAL ASIA



UNITED KINGDOM

## JVA SA SERVICE CENTRES

### East Rand (Jet Park)

Aerostar Business Park  
219 Jet Park Road, Jet Park  
Tel: 011 397 3507

### North Rand (Kya Sand)

174 Bernie Street  
Randburg  
Tel: 011 708 6442

### West Rand (Roodepoort)

602 Ontdekkers Road  
Delaréy, Roodepoort  
Tel: 011 472 8823

### Pretoria

1185 Steve Biko Road  
(977 Voortrekker Road)  
Wonderboom South  
Tel: 012 335 4290

### Kimberley

29 Schmidtsdrift Road  
Tel: 053 861 5631

### Cape Town

Unit 15, Viking Business Park  
Viking Way, Epping Industria  
Tel: 021 534 5056

### Polokwane

19A Suez Street  
Nirvana  
Tel: 015 292 6273

### Nelspruit

D1 Waterfall Park  
15 Rapid Street  
Riverside Industrial Park  
Tel: 013 752 7152

### Bloemfontein

36 Kolbe Lane  
Tel: 051 448 6695

### Pinetown

Unit 1, 7 Suffert Street  
Tel: 031 702 6351

### Rustenburg

1 Howick Avenue, Shop 7, Waterfall Mall  
Tel: 014 537 2884

### Durban North

Shop 11, Arcadia Centre  
87 Umhlanga Rocks Drive  
Tel: 031 563 0274/  
031 563 6478

### Pietermaritzburg

51 Winston Road  
Tel: 033 342 6727

### Port Elizabeth

45 Mangold Street  
Newton Park  
Tel: 041 365 7178

### East London

Shop 3, Paphos Park  
Devereaux Avenue  
Tel: 043 726 6652/60

### George

Shop 3, 57 York Road  
George  
Tel: 044 874 0669